

Accessori speciali per l'installazione

Special accessories for installation



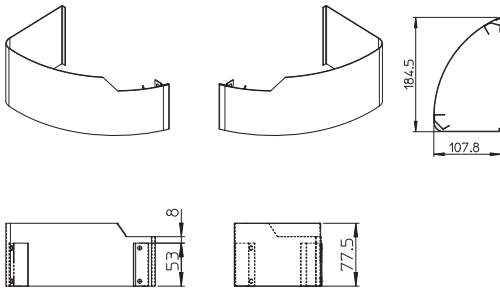
AirLeaf



innova
something new in the air

Special accessories for installation

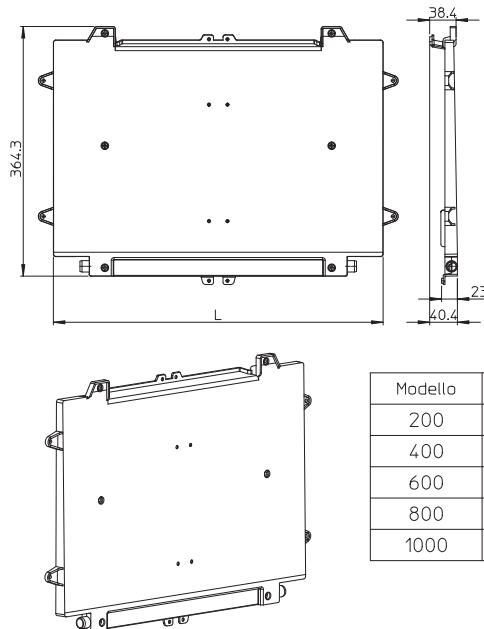
Feet



LB0157II Feet RAL9010 white
LA0158II Feet metal grey

These accessories cover the hydraulic pipes coming up through the floor. They should be fitted on appliances anchored to the back wall. They have a sleek design and are easy to remove for maintenance or cleaning. These Feet should not be used to anchor the terminal to the ground; the specific feet LA0604II and LB0605II illustrated below are designed for this purpose.

Condensation collection tray for ceiling mounted horizontal SL terminal (with unit)



Modello	Lunghezza
200	L = 481 mm
400	L = 681 mm
600	L = 881 mm
800	L = 1081 mm
1000	L = 1281 mm

GB0520II Condensation collection tray for ceiling mounted horizontal installation of size "200" SL terminal

GB0521II Condensation collection tray for ceiling mounted horizontal installation of size "400" SL terminal

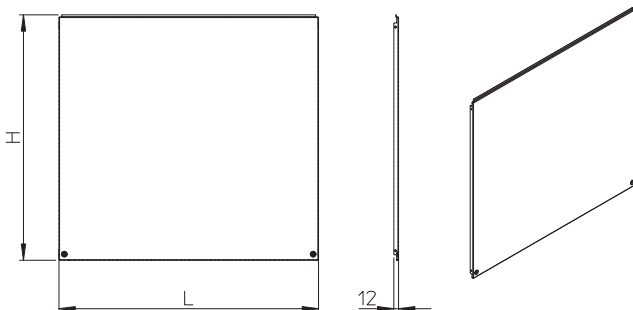
GB0522II Condensation collection tray for ceiling mounted horizontal installation of size "600" SL terminal

GB0523II Condensation collection tray for ceiling mounted horizontal installation of size "800" SL terminal

GB0524II Condensation collection tray for ceiling mounted horizontal installation of size "1000" SL terminal

The accessory consists of an ABS tray that is easily assembled to the front of the terminal below the outer casing. The tray comes with the relative insulating material and all the fittings required for condensate drain installation.

Back panel

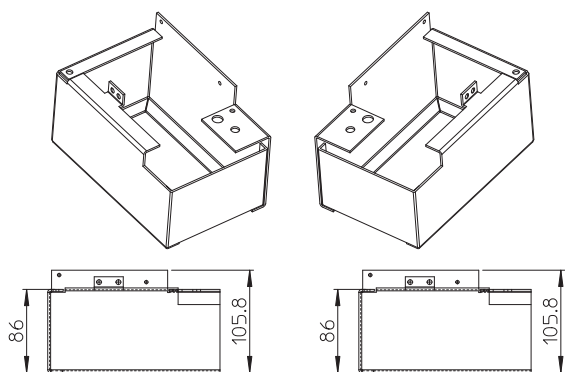


Modello	Altezza (H)	Lunghezza (L)
200 SL	L = 573 mm	L = 670 mm
400 SL	L = 573 mm	L = 870 mm
600 SL	L = 573 mm	L = 1070 mm
800 SL	L = 573 mm	L = 1270 mm
1000 SL	L = 573 mm	L = 1470 mm

- LB0171II back panel for model "200" terminal RAL 9010 white**
- LB0173II back panel for model "400" terminal RAL 9010 white**
- LB0175II back panel for model "600" terminal RAL 9010 white**
- LB0177II back panel for model "800" terminal RAL 9010 white**
- LB0179II back panel for model "1000" terminal RAL 9010 white**
- LA0172II back panel for model "200" terminal metal grey**
- LA0174II back panel for model "400" terminal metal grey**
- LA0176II back panel for model "600" terminal metal grey**
- LA0178II back panel for model "800" terminal metal grey**
- LA0180II back panel for model "1000" terminal metal grey**
- LB0181II back panel for SL "200" (4 pipe unit)**
- LB0183II back panel for SL "400" (4 pipe unit)**
- LB0185II back panel for SL "600" (4 pipe unit)**
- LB0187II back panel for SL "800" (4 pipe unit)**
- LB0189II back panel for SL "1000" (4 pipe unit)**
- LA0182II back panel for SL "200" (4 pipe unit)**
- LA0184II back panel for SL "400" (4 pipe unit)**
- LA0186II back panel for SL "600" (4 pipe unit)**
- LA0188II back panel for SL "800" (4 pipe unit)**
- LA0190II back panel for SL "1000" (4 pipe unit)**

Attractive back panel for installations with rear part of the appliance visible. The galvanized sheet is painted the same colour as the terminals using epoxy paint. Each panel is individually wrapped.

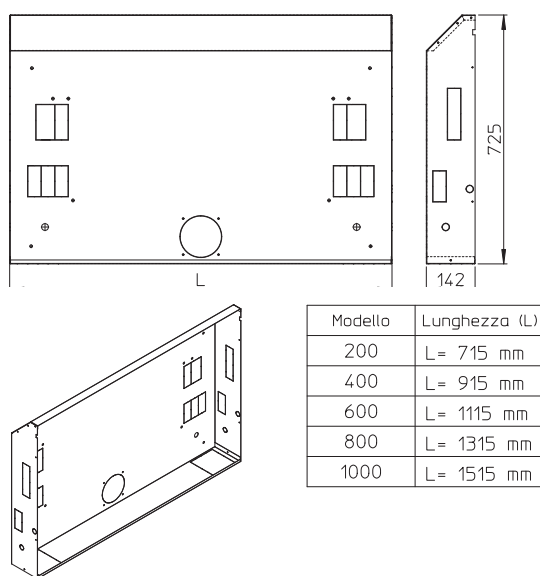
Ground anchor feet



LA0604II ground anchor feet metal grey
LB0605II ground anchor feet RAL 9010 white

Pair of feet for anchoring the terminal to the ground in the event it cannot be fastened to the back wall. Also cover any hydraulic pipes coming up through the floor. Made of epoxy painted galvanized sheet metal.

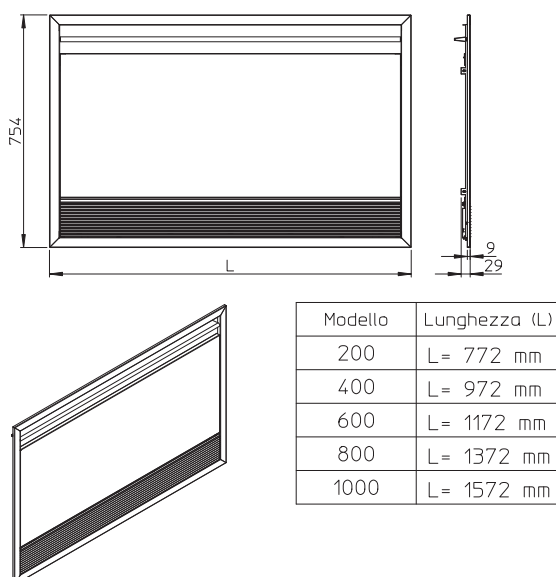
Casing for built-in installation



L00568II casing for built-in size "200" terminal
L00569II casing for built-in size "400" terminal
L00570II casing for built-in size "600" terminal
L00571II casing for built-in size "800" terminal
L00572II casing for built-in size "1000" terminal

This accessory is a galvanized sheet metal casing made to be inserted into the wall or false ceiling where the terminal is housed. It is pre-cut to allow for routing of hydraulic pipes and electric cables. The structure fits to the built-in cover panel described below. This accessory enables the inner workings of our terminals to run simply and accurately. Its slimness (due to the compactness of our terminals) enables it to be positioned in very thin walls and false ceilings.

Casing cover panel



VERTICAL

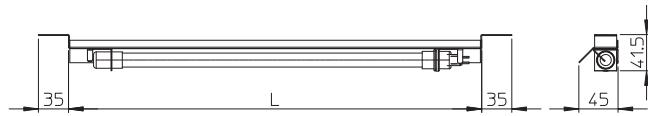
LB0578II built-in cover panel for size "200"
LB0579II built-in cover panel for size "400"
LB0580II built-in cover panel for size "600"
LB0581II built-in cover panel for size "800"
LB0582II built-in cover panel for size "1000"

HORIZONTAL

LB0618II built-in cover panel for size "200"
LB0619II built-in cover panel for size "400"
LB0620II built-in cover panel for size "600"
LB0621II built-in cover panel for size "800"
LB0622II built-in cover panel for size "1000"

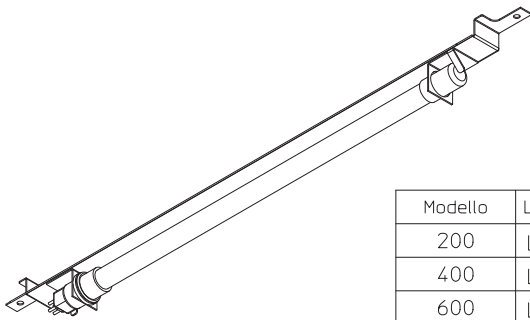
The panel is designed to fit perfectly to the built-in casing of the same size. It includes: outer frame, front panel, removable grill for cleaning air filters and adjustable deflector for diverting ambient air flow (only for vertical model). The middle of the panel can be easily removed for rapid and thorough maintenance of the appliance. Its quality finish means it will blend perfectly into any setting. The standard colour is RAL 9010 white but different colours are available on request.

UVC air sterilisation device



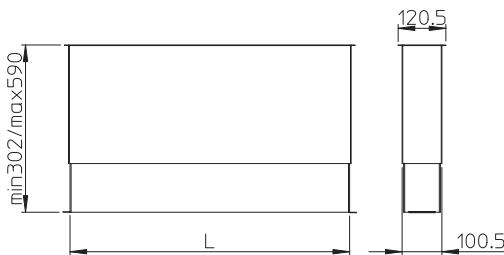
- GB0545II UVC device for size "200" terminal**
- GB0546II UVC device for size "400" terminal**
- GB0547II UVC device for size "600" terminal**
- GB0548II UVC device for size "800" terminal**
- GB0549II UVC device for size "1000" terminal**
- GB0555II Spare UVC bulb for size "200" terminal**
- GB0556II Spare UVC bulb for size "400" terminal**
- GB0557II Spare UVC bulb for size "600" terminal**
- GB0558II Spare UVC bulb for size "800 and 1000" terminal**

The device includes: professional UV lamp and control gear, frame for assembly inside appliance and connection wires. It is well known that UVC rays in the correct emission spectrum, which is guaranteed solely by a professional lamp like the one fitted in our terminals, have a very effective antibacterial and anti-virological action. The particular and favourable position of the UVC emitter inside our appliance enables it to handle high volumes of air circulating in the room, with consequent higher levels of sterilisation. The UVC lamp we use is expected to last about 12,000 hours. After this period (equivalent to 2-3 years of use) it should be replaced. Spare bulbs are available in our accessories. Bulb replacement is very simple (similar to disassembling and refitting a normal fluorescent tube).



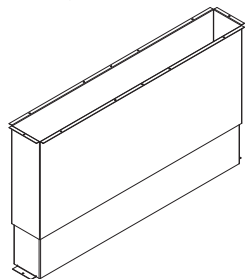
Modello	Lunghezza (L)
200	L = 275 mm
400	L = 475 mm
600	L = 675 mm
800	L = 875 mm
1000	L = 1075 mm

Telescopic air flow duct for false ceiling or built-in installation

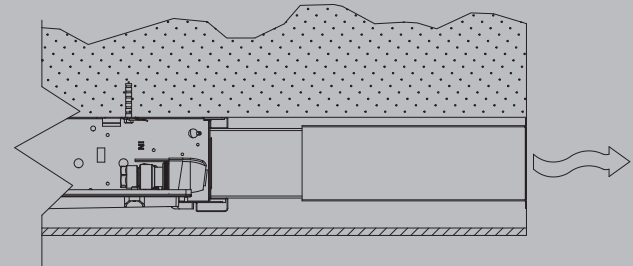


- DB0160II telescopic duct for coupling to SLI 200 terminal**
- DB0161II telescopic duct for coupling to SLI 400 terminal**
- DB0162II telescopic duct for coupling to SLI 600 terminal**
- DB0163II telescopic duct for coupling to SLI 800 terminal**
- DB0164II telescopic duct for coupling to SLI 1000 terminal**

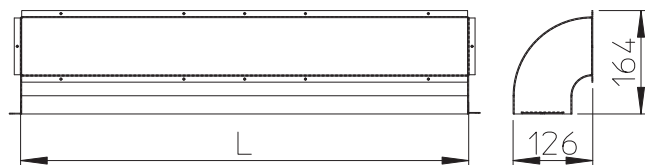
This accessory facilitates the application of our SLI built-in terminals inside false ceilings. There are many situations in which the terminal cannot be connected directly to the air vent (e.g. in hotel rooms). Our telescopic duct is adjustable in length to better adapt to installation requirements. It is made of galvanized sheet metal coated on the inside with insulating material to prevent condensation.



Modello	Lunghezza (L)
200	L = 307.5 mm
400	L = 507.5 mm
600	L = 707.5 mm
800	L = 907.5 mm
1000	L = 1107.5 mm



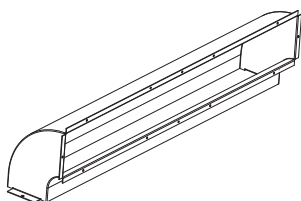
90° duct for false ceiling or built-in installation



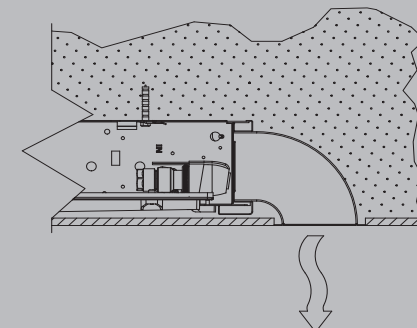
- DB0165II 90° duct for coupling to SLI 200 terminal**
- DB0166II 90° duct for coupling to SLI 400 terminal**
- DB0167II 90° duct for coupling to SLI 600 terminal**
- DB0168II 90° duct for coupling to SLI 800 terminal**
- DB0169II 90° duct for coupling to SLI 1000 terminal**

This accessory enables air flow from the built-in SLI terminal to be ducted towards a vent set at right angles to the air outlet. A common application is for terminals installed horizontally inside a false ceiling with the relative vent on the visible lower surface of the false ceiling.

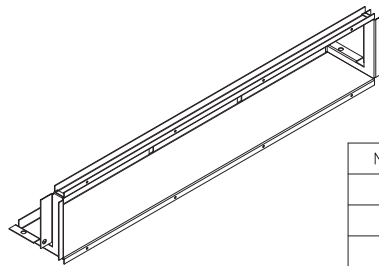
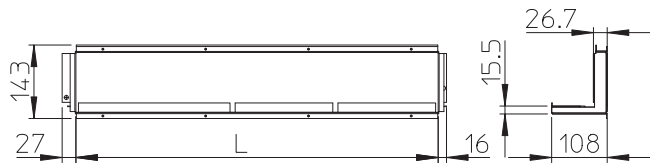
It is made of galvanized sheet metal coated on the inside with insulating material.



Modello	Lunghezza (L)
200	L = 307.5 mm
400	L = 507.5 mm
600	L = 707.5 mm
800	L = 907.5 mm
1000	L = 1107.5 mm



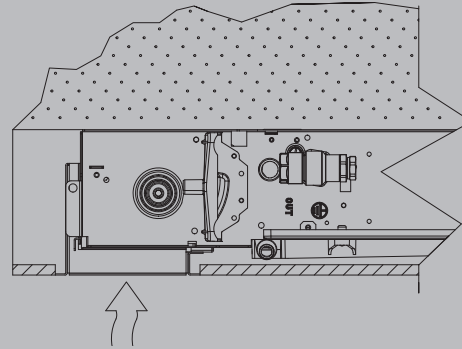
Fitting for air intake in built-in installation



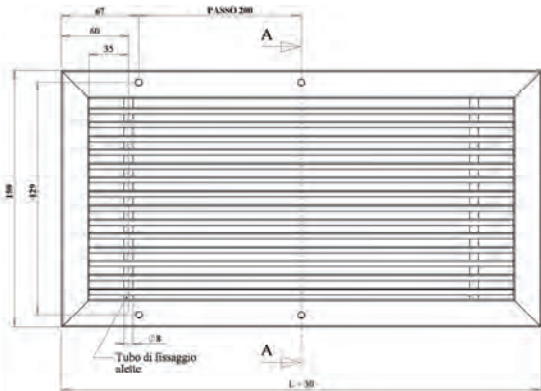
Modello	Lunghezza (L)
200	L = 305 mm
400	L = 505 mm
600	L = 705 mm
800	L = 905 mm
1000	L = 1105 mm

- DB0194II Fitting for air intake for coupling to SLI 200 terminal**
- DB0195II Fitting for air intake for coupling to SLI 400 terminal**
- DB0196II Fitting for air intake for coupling to SLI 600 terminal**
- DB0197II Fitting for air intake for coupling to SLI 800 terminal**
- DB0198II Fitting for air intake for coupling to SLI 1000 terminal**

This fitting is used to conduct ambient air from a return grill on a false ceiling or wall to the terminal installed horizontally inside the false ceiling or vertically inside a wall. The dimensions and configuration of this accessory, made of galvanized sheet metal, enable perfect accessibility to the air filters.



Air intake grill with straight profile

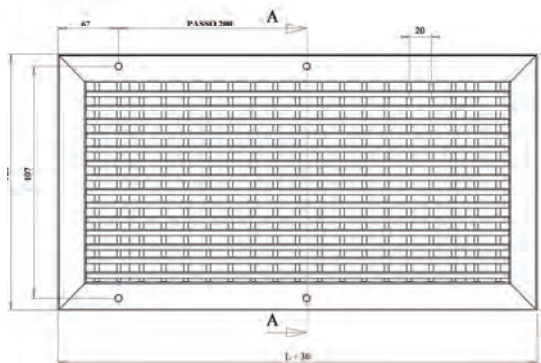


Modello	Altezza (H)	Lunghezza (L)
200	L = 120 mm	L = 304 mm
400	L = 120 mm	L = 504 mm
600	L = 120 mm	L = 704 mm
800	L = 120 mm	L = 904 mm
1000	L = 120 mm	L = 1104 mm

- DR0326II Intake grill straight profile for coupling to SLI 200 terminal**
- DR0327II Intake grill straight profile for coupling to SLI 400 terminal**
- DR0328II Intake grill straight profile for coupling to SLI 600 terminal**
- DR0329II Intake grill straight profile for coupling to SLI 800 terminal**
- DR0330II Intake grill straight profile for coupling to SLI 1000 terminal**

An aluminium intake grill with a linear profile that fits perfectly to our air intake fittings for the built-in installation described above. The aluminum frame surrounding the grill has a series of holes for fastening to the intake fitting. This element guarantees easy removal of the grill for periodic cleaning of the air filters.

Air flow vent for wall mounting



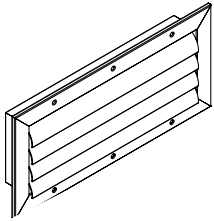
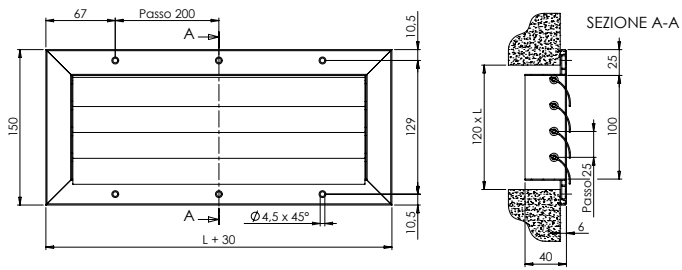
Modello	Altezza (H)	Lunghezza (L)
200	L = 98 mm	L = 304 mm
400	L = 98 mm	L = 504 mm
600	L = 98 mm	L = 704 mm
800	L = 98 mm	L = 904 mm
1000	L = 98 mm	L = 1104 mm

- DR0321II Air flow vent wall mounted for coupling to SLI 200 terminal**
- DR0322II Air flow vent wall mounted for coupling to SLI 400 terminal**
- DR0323II Air flow vent wall mounted for coupling to SLI 600 terminal**
- DR0324II Air flow vent wall mounted for coupling to SLI 800 terminal**
- DR0325II Air flow vent wall mounted for coupling to SLI 1000 terminal**

The accessory comprises an aluminum vent with two rows of fins for horizontal and vertical adjustment of the air flow. It is ideal for built-in terminals in which the air flow is directed into the room from a wall or from the vertical side of a false ceiling (as in hotel rooms).

The dimensions and holes on the frame fit perfectly to the accessories: telescopic duct and 90° duct.

Air intake grill with curved profile



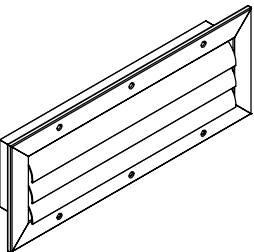
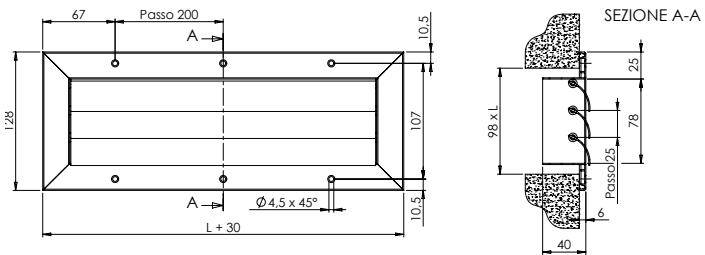
Modello	Lunghezza (L)
200	L = 304 mm
400	L = 504 mm
600	L = 704 mm
800	L = 904 mm
1000	L = 1104 mm

DR0559II Intake grill curved profile for coupling to SLI 200 terminal
DR0560II Intake grill curved profile for coupling to SLI 400 terminal
DR0561II Intake grill curved profile for coupling to SLI 600 terminal
DR0562II Intake grill curved profile for coupling to SLI 800 terminal
DR0563II Intake grill curved profile for coupling to SLI 1000 terminal

This type of aluminum air intake grill is particularly suited for false ceiling installations. Its curved profile completely conceals the interior, giving a more elegant appearance.

Just like the other grills, this one also fits perfectly to the dimensions and holes on our air intake fitting for built-in terminals.

Air flow vent with curved profile for false ceiling installation



Modello	Lunghezza (L)
200	L = 304 mm
400	L = 504 mm
600	L = 704 mm
800	L = 904 mm
1000	L = 1104 mm

DR0550II Air flow vent curved profile for coupling to SLI 200 terminal
DR0551II Air flow vent curved profile for coupling to SLI 400 terminal
DR0552II Air flow vent curved profile for coupling to SLI 600 terminal
DR0553II Air flow vent curved profile for coupling to SLI 800 terminal
DR0554II Air flow vent curved profile for coupling to SLI 1000 terminal

The aluminum curved vent is particularly suited for air distribution from a false ceiling. The geometry of the individual fins enables mainly horizontal air flow which does not disturb the people inside the room. Its elegant appearance blends well with any setting. It fits perfectly to both the 90° duct and the telescopic duct.

www.innovaenergie.com



INNOVA s.r.l.

Fraz. Strada, 16 - 38085 PIEVE DI BONO (TN) - ITALY
tel. +39.0465.670104 fax +39.0465.674965
info@innovaenergie.com

